

## Media Support Grids

### Client Data

Name:  Project Name:

Company:

Address:

City:  Province:  Post Code:

Phone:  Fax:

Email:

### Application Data

Vessel orientation?  Vertical  Horizontal (please provide sketch)

Number of vessels?

Vessel inside diameter?   inches  feet  metres

Support ledge size? wide:  thick:

Number of support beams?

Manway inside diameter?   inches  mm

Media (min.) size?   mesh  inches   $\mu\text{m}$   mm

Media density?   lbs/cu. ft.   $\text{kg/m}^3$

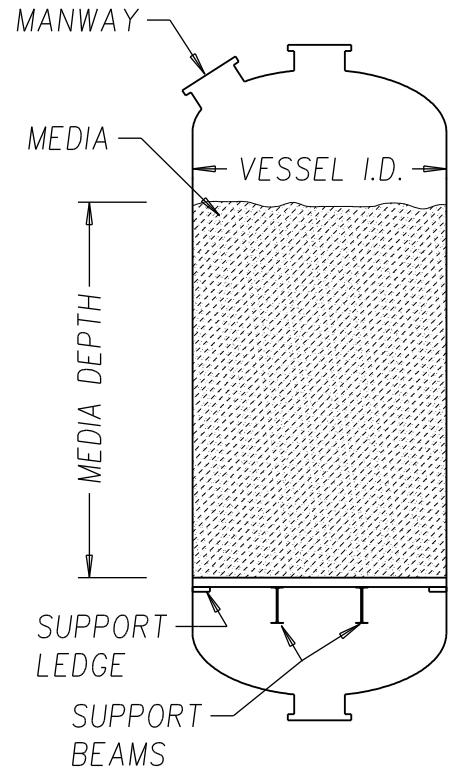
Depth of media:   inches  feet  metres

Design maximum  $\Delta\text{P}$  through media:   psi  kPa  bar

Design maximum temperature:   Celcius  Fahrenheit

Grid material?  304ss  316ss Other:

Design to:  ASME Sec VIII Div 1 Spec SA-240  
 ASME Sec VIII Div 2 Spec SA-240



### Comments: